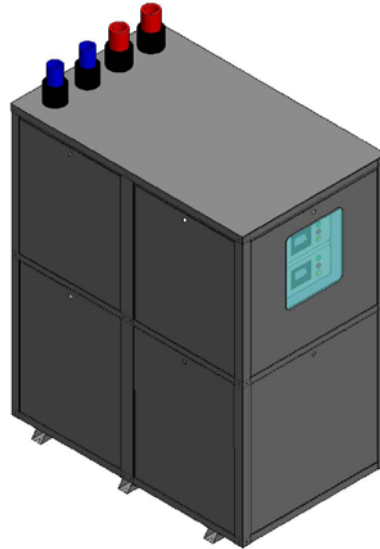


## WATER SOURCE HEAT PUMP - 150KW



### 1.0 GENERAL SPECIFICATION

Water to Water Heat Pump. Unit is included with compressor , evaporator , condenser and electrical control panel. Refrigerant is environmental friendly R-134A. Heat Pump can produce 70 °C maximum hot water temperature.

### 2.0 PERFORMANCE

The unit have C.O.P. not less than 3.9 at 15 °C, inlet chilled water and 55 °C , 60 °C inlet and outlet hot water.

### 3.0 EQUIPMENT SPECIFICATION

#### 3.1 COMPRESSOR " COPELAND "

Hermetic Scroll type compressor , suitable for high temperature operation with environmental friendly R134a refrigerant.

**Copeland**  
brand products



COMPRESSOR

### 3.2 CONDENSER AND EVAPORATOR

Condenser and Evaporator are plate heat exchanger , SUS 316 Stainless steel , Copper welding. Refrigerant side is tested at pressure 500 psig and water side is tested at pressure 300 psig.



PLATE HEAT EXCHANGER

### 3.3 REFRIGERANT EQUIPMENTS



Refrigerant equipment are included

- Thermal Expansion Valves ( Superheat Adjustable )
- Sight Glass
- Filter Dryer
- Suction Accumulator

### 3.4 WATER PUMP "GRUNDFOSS"

Hot and Cold water circulating pump are end-suction centrifugal pump. Body material is cast iron. The pump shaft, impeller, chamber and filling plugs are stainless steel 304.



WATER PUMP

### 3.5 CABINET

Heat pump cabinet is SUS304 Stainless Steel. Cabinet have 7 access door for serving , one for compressor and TXV , one for evaporator and condenser and one for electrical equipment. Cabinet base thickness is 2.0 mm. Heat pump is designed for both indoor and outdoor installation.

### 3.6 INSULATION

EPDM Close Cell Insulation. Excellent insulator with low thermal conductivity.

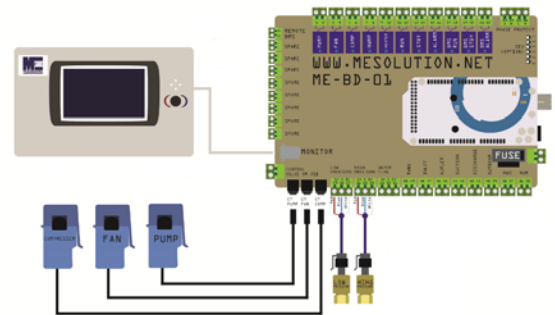
### 3.7 CONTROL FUNCTION

- Heat Pump Micro Controller for controlling constant 60 °C water temperature and allow you to easily adjust hot water temperature as desire.
- Operating hours counter. Display accumulated total working hours of heat pump. Easily monitoring and planning for preventive maintenance.
- Data Report print out and Service Online by ME Solution program easily for management.
- 6 point temperature display inside heat pump. Provide good accuracy for heat pump performance monitoring and easily diagnosis heat pump malfunction.
- Controller reserved for external water flow safety switch.

### 3.8 PROTECTION FUNCTION

- High Pressure Safety Switch.
- Low Pressure Safety Switch.
- Water Temperature Overheat Safety Switch. Limit water temperature which might harm to user.
- Water Temperature Low Safety Switch. Limit water temperature which might harm to user.
- Electrical Phases & Voltage Protection.
- Over Current Compressor Protection.
- Over Current Pump Protection.
- Time delay for compressor protection.
- Auto-Restart Mode.

**ME-DB-01**  
Heat Pump Controller  
Wiring Diagram



DISPLAY AND CONTROLLER



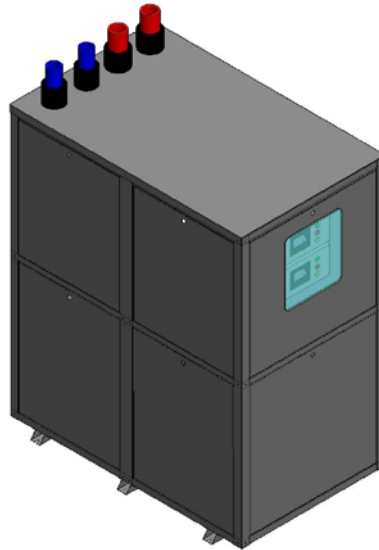
# WATER SOURCE HEAT PUMP - 150KW

## TECHNICAL DATA OF WATER SOURCE HEAT PUMP

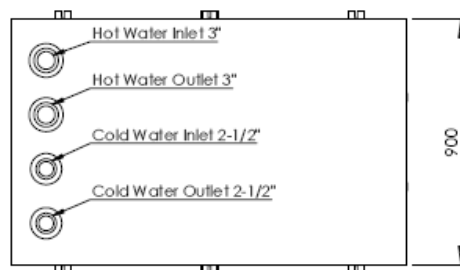
MODEL			MEW-150	
PERFORMANCE DATA	HEATING CAPACITY		kW	154.0
	COOLING CAPACITY		kW (Btu/hr)	120.5 (411,965)
	HOT WATER SIDE	FLOW	Lph	26,526
		ENTERING TEMP.	°C	55
		LEAVING TEMP.	°C	60
	COLD WATER SIDE	FLOW	Lph	20,765
		ENTERING TEMP.	°C	12
		LEAVING TEMP.	°C	7
HEATING COP			3.9	
ELECTRICAL DATA	ELECTRICAL		V/PH/Hz	380/3/50
	COMPRESSOR		kW	38.2
	TOTAL POWER CONSUMPTION		kW	42.8
	RLA		Amp	95.7
	FLA		Amp	101.8
PHYSICAL DATA	COMPRESSOR	QUANTITY		4
		TYPE		HERMATIC SCROLL
		REFRIGERATION		R-134A
	CONDENSER & EVAPORATOR			BRAZED PLATE HEAT
	CASING MATERIAL			SUS304 STAINLESS STEEL
	LENGTH X WIDTH X HEIGHT		mm.	1600 x 960 x 1935
	WEIGHT ( approx.)		kg.	785
PIPE CONNECTIONS	HOT WATER SIDE	WATER INLET	inch.	3"
		WATER OUTLET	inch.	3"
	COLD WATER SIDE	WATER INLET	inch.	2-1/2"
		WATER OUTLET	inch.	2-1/2"



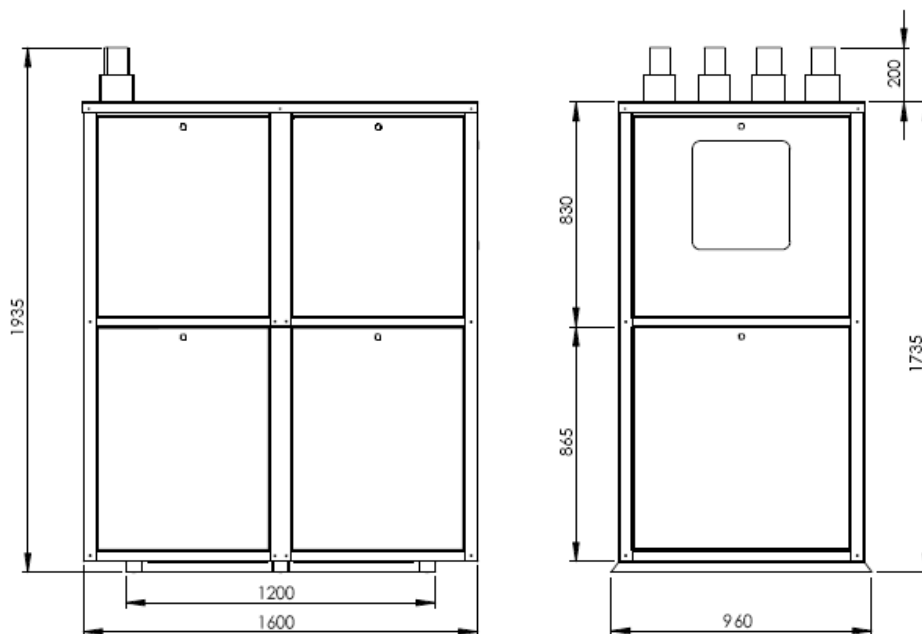
## WATER SOURCE HEAT PUMP - 150KW



### DIMENSION



TOP VIEW



LEFT VIEW

FRONT VIEW