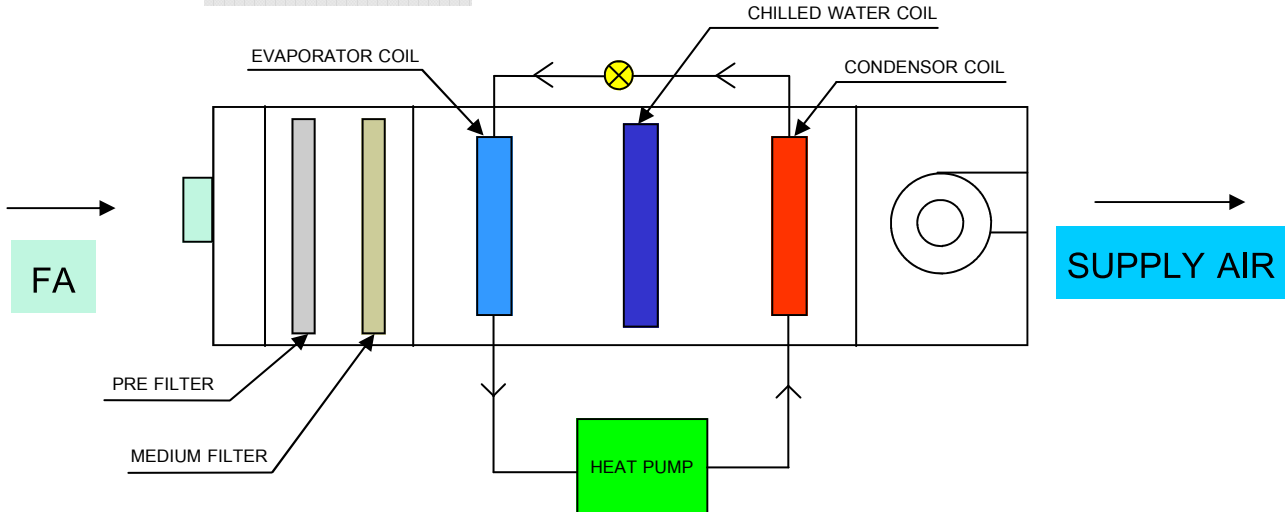


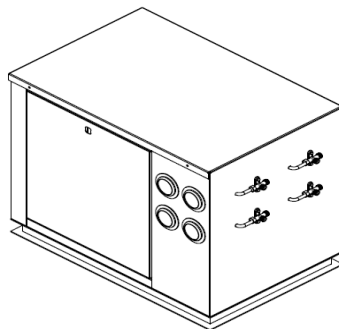
TYPICAL HEAT PUMP DEHUMIDIFICATION CONCEPT

FOR OAU



HEAT PUMP DEHUMIDIFICATION – OAU MODEL

MODEL	HEATING (kW)	COOLING (kW)	POWER INPUT (kW)
HP-OAU-01	6.0	4.9	1.1
HP-OAU-02	10.8	8.8	2.0
HP-OAU-03	16.6	13.8	2.8
HP-OAU-04	21.8	18.1	3.7
HP-OAU-05	33.0	29.3	4.49
HP-OAU-06	42.1	36.9	5.53

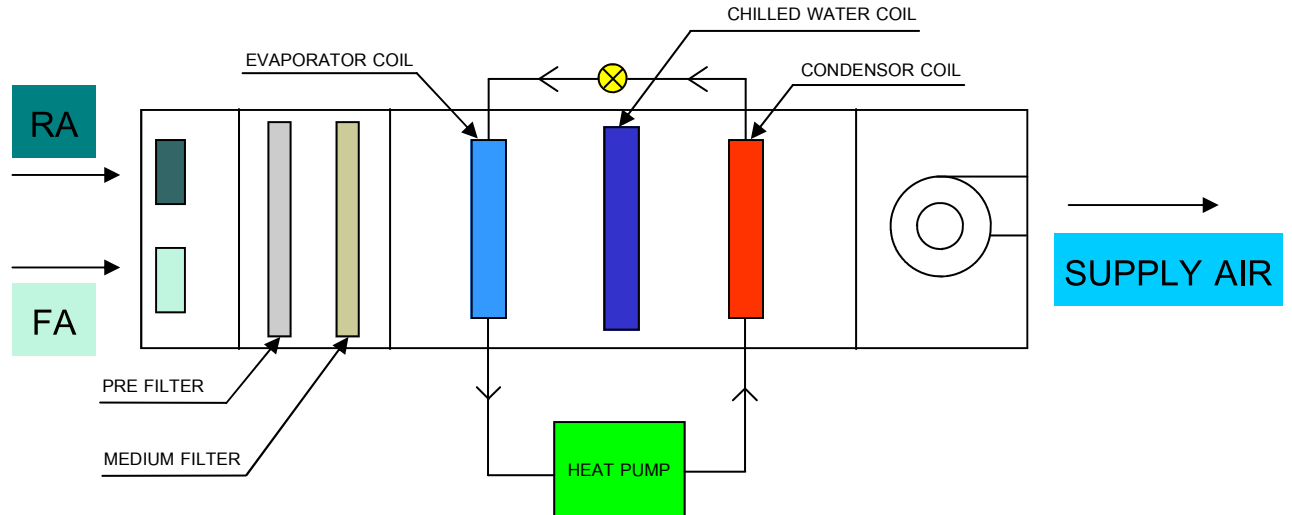


M & E TEAM WORK CO.,LTD.

HEAD OFFICE : 133/128 RATTANATHIBET RD. BANGKRASAO MUANG NONTHABURI NONTHABURI 11000
TEL:(66)2-106-2922 FAX:(66)2-106-2944, E-MAIL : meteamwork128@gmail.com

TYPICAL HEAT PUMP DEHUMIDIFICATION CONCEPT

FOR AHU



HEAT PUMP DEHUMIDIFICATION – AHU MODEL

MODEL	HEATING (kW)	COOLING (kW)	POWER INPUT (kW)
HP-AHU-01	6.0	4.6	1.4
HP-AHU-02	9.2	7.3	1.9
HP-AHU-03	14.7	12.0	2.7
HP-AHU-04	19.6	16.1	3.5
HP-AHU-05	29.6	25.3	4.5
HP-AHU-06	44.6	37.8	7.1

